

FlexFix Roof

Solar systems for flat roofs



DC Solar Systems Ltd introduces the FlexFix Roof mounting system, for flat roofs. The system is very easy and quick to install. Good airflow under the panels ensures good ventilation. This reduces the risk of overheating, the panels produce more power and the panels last longer.

FlexFix Roof features and benefits

- Sufficient airflow and cooling under the panels, up to 3% more electricity yield on an annual basis
- Quick and easy installation, system is delivered in 4 parts that can be easily assembled on site
- Short delivery times
- System layout in accordance with Scope 12 and the new NEN7250
- Every panel is accessible for maintenance
- Roof inspections and maintenance easy to carry out
- Panels always clamped in the 'sweet spot', never on the corners
- All panel sizes can be used, including large panels > 2 m
- Panels can be installed in both portrait and landscape orientation
- Flexible system layout and easy to work around roof obstacles



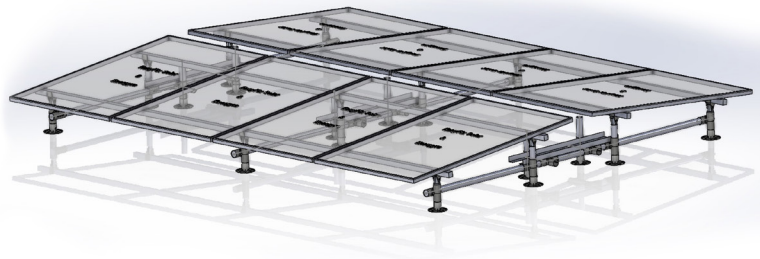
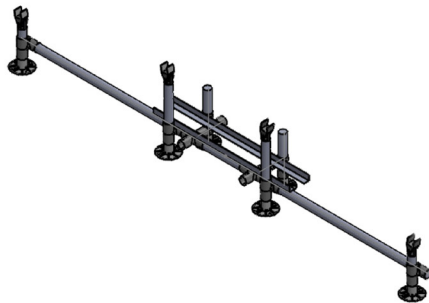
FlexFix Roof

Solar systems for flat roofs



FlexFix Roof mounting system

The FlexFix Roof system is based on mounting yokes, which are available in versions with and without ballast. For ballast, concrete curbs of 6x15x100 cm are used, which can be easily placed onto the yoke. The height and inclination angle of the panels are adjustable. Optimizers, micro inverters, etc. can be easily mounted to the system. Cable clips are available for attaching the cables on the mounting rail. The construction is delivered in 4 ready-to-use parts – yokes, mounting rail, panel clamps and concrete curbs – that are easy to assemble on site.



Want to know more?

Ask our consultant to assess your location for suitability or an indicative quote. Check out our website at www.dcsolarsystems.co.uk